

## Large-size Absolute Angular Resolver

# Smartsyn<sup>®</sup>

# NEW

## SIZE 34

### ■ Outline

The brushless resolver Smartsyn is an angle sensor that converts rotational angles into electric signals.

Smartsyn, realized by automatic winding, features low cost, high performance, high reliability and high productivity. Tamagawa has so far been offering Sizes 08, 10, 15 and 21. To respond to the needs for larger sizes, it is now releasing Size 34 Smartsyn.



### ■ Specifications

- Outer Diameter : 75mm
- Flange Diameter : 83mm
- Rotor Inner Diameter : 22~40mm
- Length : 30mm
- Max Operating Speed : 6000min<sup>-1</sup> (rpm)
- Operating Temperature Range : -55°C~+155°C
- Mass : 1kg Max.
- Input Voltage : AC 7Vrms
- Input Frequency : 5kHz or 10kHz
- Transformation Ratio : 0.5
- Input Impedance (Z<sub>in</sub>) : 150Ω
- Electrical Error : ±10'

### ■ Overall Dimensions

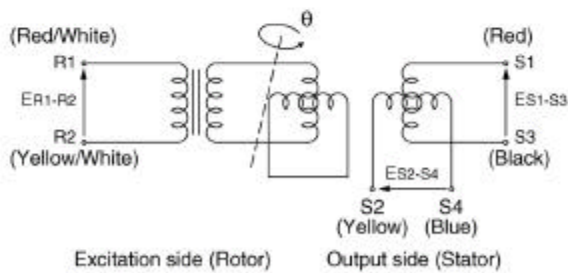
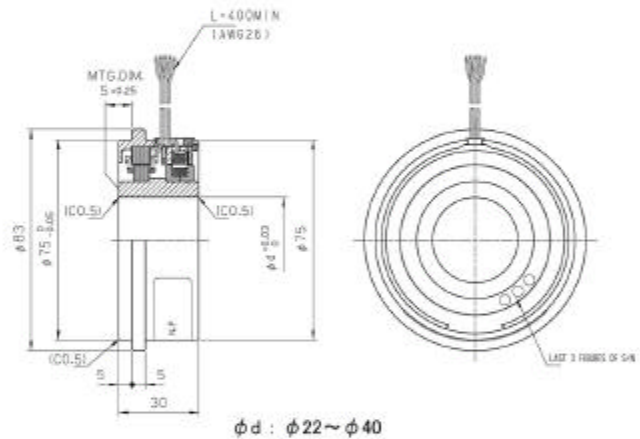


Fig.1 Wiring diagram

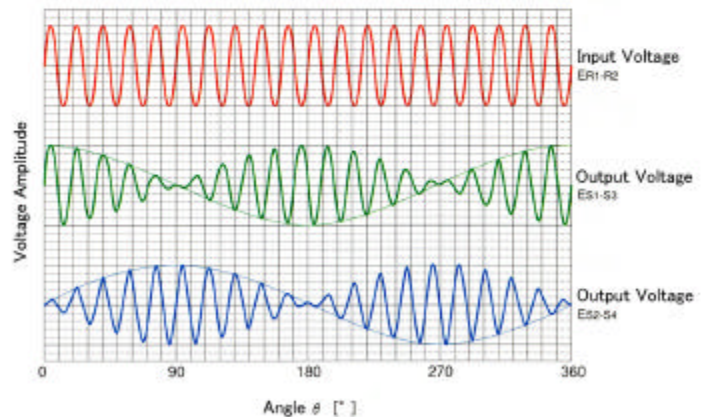


Fig.2 Input/Output Voltage Characteristics