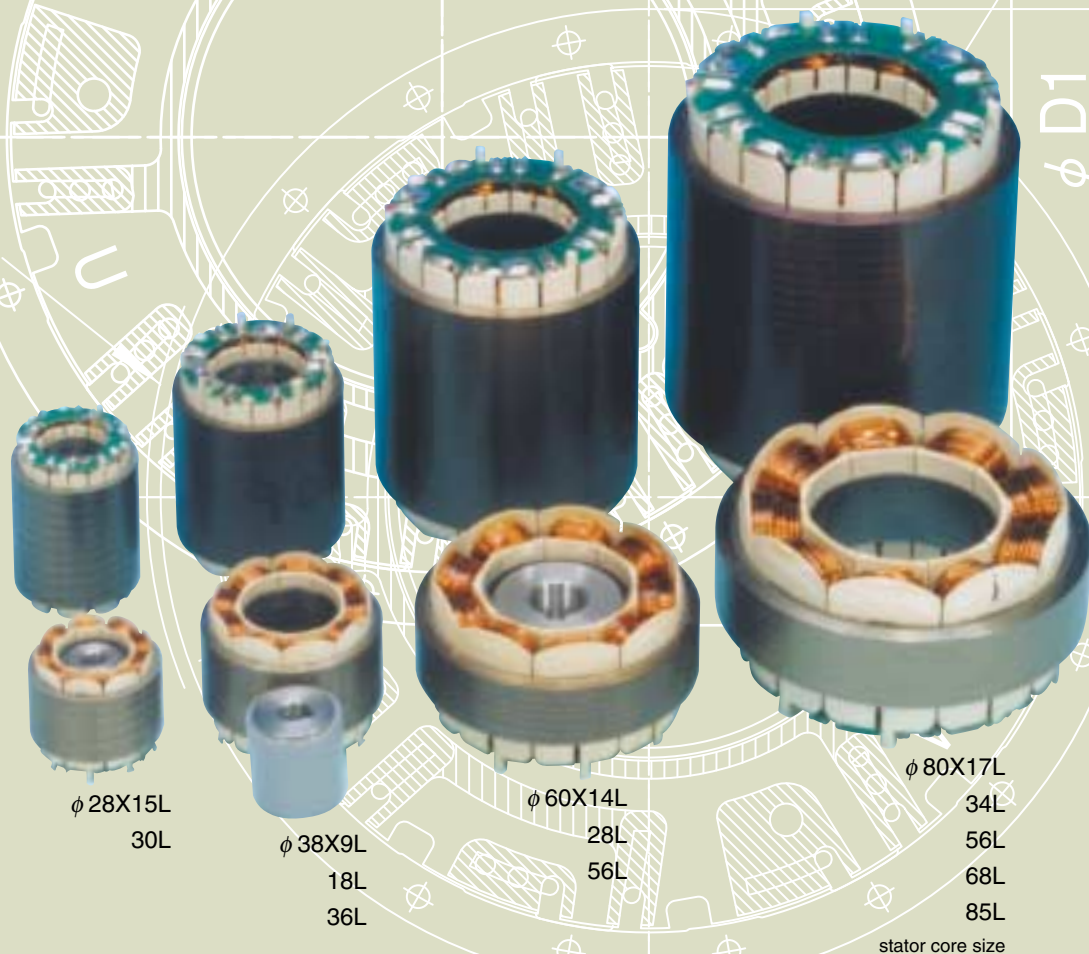


HOLLOW SHAFT, FRAMELESS

DC BL SERVO MOTOR UNIT

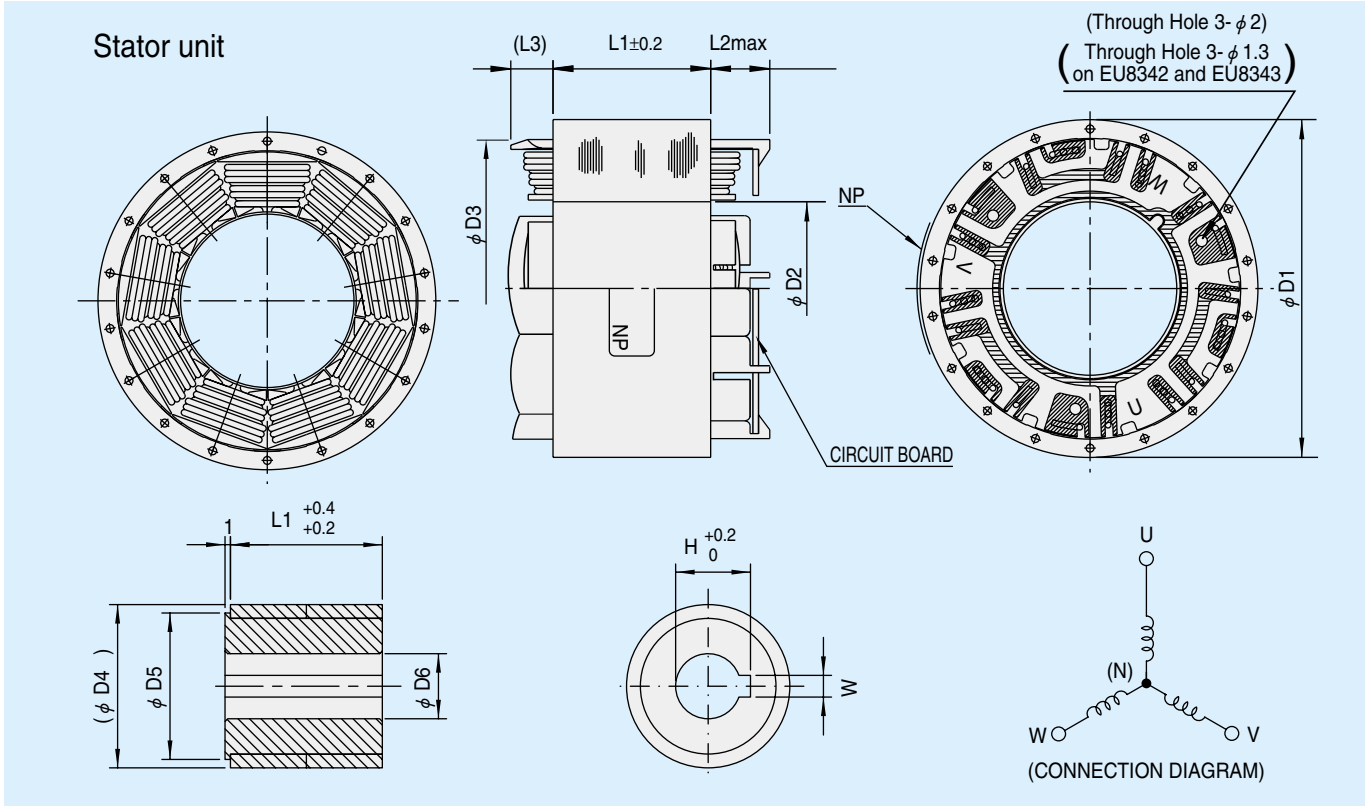
DC Brushless Servo Motor, A set of a stator unit & a rotor unit



■ Features

- A frameless and shaftless set of a stator and a rotor
- A smaller size and higher performance
Higher performance is realized by both a rare earth magnet rotor and a stator with high density alignment windings.
- Direct drive
Coupling to a load shaft is not necessary.
- Motor form
Stator unit : 3Phases, Star connection
Rotor unit : Hollow shaft, Rare earth (Nd) ring magnet, 8Poles.
- Direction of rotation
CW U→V→W supply, viewed from P/C side

OUTLINE



SPECIFICATIONS

Output performance values are measured at 3000rpm with completed TBL-i MOTOR.

○ Available
△ Need bobbin tooling
— Not Available

MOTOR UNIT MODEL		EU8342	EU8343	EU8301	EU8302	EU8303	EU8306	EU8307	EU8309	EU8311	EU8312	EU8313	EU8314	EU8315
RATED OUTPUT	W	15	30	30	60	100	100	200	400	200	400	600	800	950
RATED TORQUE	kgf·cm	0.49	0.97	0.97	1.95	3.25	3.25	6.5	13	6.5	13	19.5	26	30.8
PEAK TORQUE	kgf·cm	1.47	2.9	2.9	5.9	9.7	9.7	19.1	39	19.5	39	58.5	78	92.4
RATED SPEED	r/min	3000												
MAXIMUM SPEED	r/min	(5000)												
DC bus voltage	DC 24V	○	○	○	○	△	○	—	—	△	—	—	—	—
	DC 48V	○	○	○	○	△	○	○	—	○	△	—	—	—
	DC 60V	○	○	○	○	○	○	○	○	○	△	△	—	—
	DC105V	○	○	○	○	○	○	○	○	○	○	○	△	△
	DC210V	○	○	○	○	○	○	○	○	○	○	○	○	○
Stator unit	L1	15	30	9	18	36	14	28	56	17	34	51	68	85
	[mm]	D1	28 ^{+0.015} _{-0.03}		38 ^{+0.04} ₀			60 ^{+0.005} ₀			80 ^{+0.05} ₀			
		D2	14.8		20.2			30.8			40.3			
		D3	24.6		33.8			53.5			70			
		L2	6.5		9			11.5			14.4			
Rotor unit	[mm]	D4	14.2		19.6			30.1			39.5			
		D5	11		17			27			35.5			
		D6	5 ^{+0.012} ₀		8 ^{+0.015} ₀			12 ^{+0.018} ₀			15 ^{+0.018} ₀			
		W	no Key Way		3±0.015			4±0.015			5±0.015			
		H		no Key Way			9.4			17.3				
MASS	kg	0.06	0.11	0.08	0.14	0.26	0.28	0.50	0.94	0.62	1.11	1.56	2.10	2.60

WARRANTY

Tamagawa Seiki warrants that this product is free from defects in material or workmanship under normal use and service for a period of one year from the date of shipment from its factory. This warranty, however, excludes incidental and consequential damages caused by careless use of the product by the user. Even after the warranty period, Tamagawa Seiki offers repair service, with charge, in order to maintain the quality of the product. The MTBF (mean time between failures) of our product is quite long; yet, the predictable failure rate is not zero. The user is advised, therefore, that multiple safety means be incorporated in your system or product so as to prevent any consequential troubles resulting from the failure of our product.



TAMAGAWA TRADING CO.,LTD
A COMPANY OF TAMAGAWA SEIKI CO.,LTD

HEAD OFFICE :
1879 OHYASUMI, IIDA, NAGANO PREF, 395-8515, JAPAN
PHONE : 0265-21-1840
FAX : 0265-21-1864
TOKYO OFFICE :
3-19-9 SHINKAMATA, OHTA-KU, TOKYO 144-0054, JAPAN
PHONE : 03-3738-3132
FAX : 03-3738-3175

URL <http://www.tamagawa-seiki.co.jp>

All specifications are subject to change without notice.

